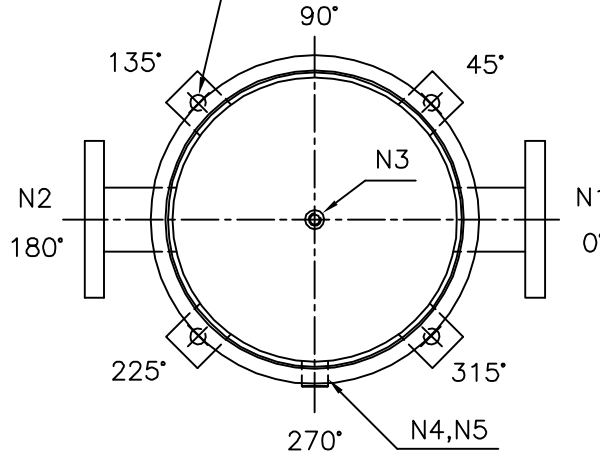


Ø18 HOLE, 4 NOS.
ON 375 PCD



- 1) MAX.OPER.PR. 5Kg./CM²
- 2) HYDRO TEST PR. 8Kg./CM²
- 3) MAX.OPER.TEMP. 40°C
- 4) SEAL MATERIAL SILICON
- 6) SURFACE FINISH MIRROR POLISH
INSIDE & OUTSIDE

ALL DIMENSIONS ARE IN MM.

N1	3" ASA 150# FLANGE	INLET
N2	3" ASA 150# FLANGE	OUTLET
N3	1/2" BSP THD.(F)	VENT
N4	1/2" BSP THD.(F)	INLET DRAIN
N5	1/2" BSP THD.(F)	OUTLET DRAIN

GOPANI PRODUCTS SYSTEMS
AHMEDABAD

DRG.NO. : MMPPL3012

CATAGORY: SALES

DATE : 14/06/07

SCALE : N.T.S.

FILTER HOUSING

SUITABLE FOR : 30" LONG x12 CART. D.O.E. TYPE