



Single Round SS Filter Housings For Jumbo Cartridge - 30" x 01 No.

GPS Metallic Filter Housings are made out from SS304 / SS316 / SS316L material with innovative features like lower pressure drop at higher flow rate, larger connections, air venting provision, robust knife-edge, zero bypass and leak proof sealing. They are sealed with top seated Buna-N/Silicon/Viton* 'O' ring by positive tangential contact that eliminates accidental misplacement.

Vessels have various connection sizes and types to match various flow rating and piping configurations.

All housings have been tested and passed the hydrostatic leak and burst pressure to ensure consistence safe performance.

*Viton is a registered *trademark* of Dupont.

Features

- Highly durable SS material
- Lower Pressure Drop @ Higher Flow Rate
- Quality fabrication on CNC machines for Product Consistency
- Robust knife-edge design ensures consistent cartridge sealing
- Leak Proof Sealing
- Larger Connection for Maximum Output
- Air Release Mechanism
- Foundation Holes Provision

Single Round SS Filter Housings For Jumbo Cartridge - 30" x 01 No.

They can be used in Processing Chemicals, Petroleum Derivatives, Coolants, Cutting Oils, Cleaning Fluids, Waxes, Paints, Inks, Resins, Varnishes, Lacquers, Pharmaceuticals, Plasticizers, Food Stuffs, Vegetable Oils and Edible Oils, Water etc

Single Round SS Filter Housings For Jumbo Cartridge - 30" x 01 No.

Materials of construction

Shell: SS
Head: SS
Vent: SS
Seal: Silicon

Configurations

Inlet/Outlet connection: To be designed as per flow capacity
Connection type: Threaded BSP (F) / Flanged / Triclover

Cartridge type: DOE
Vent: Provided

Operating conditions

Max. Operating Pressure: 7 kg/cm²
Max. Operating Temperature: 120°C

Cartridge Capacity

Single

Cartridge dimensions accepted

- i) 110 mm OD X 254 mm Length
- ii) 110 mm OD X 508 mm Length
- iii) 110 mm OD X 762 mm Length

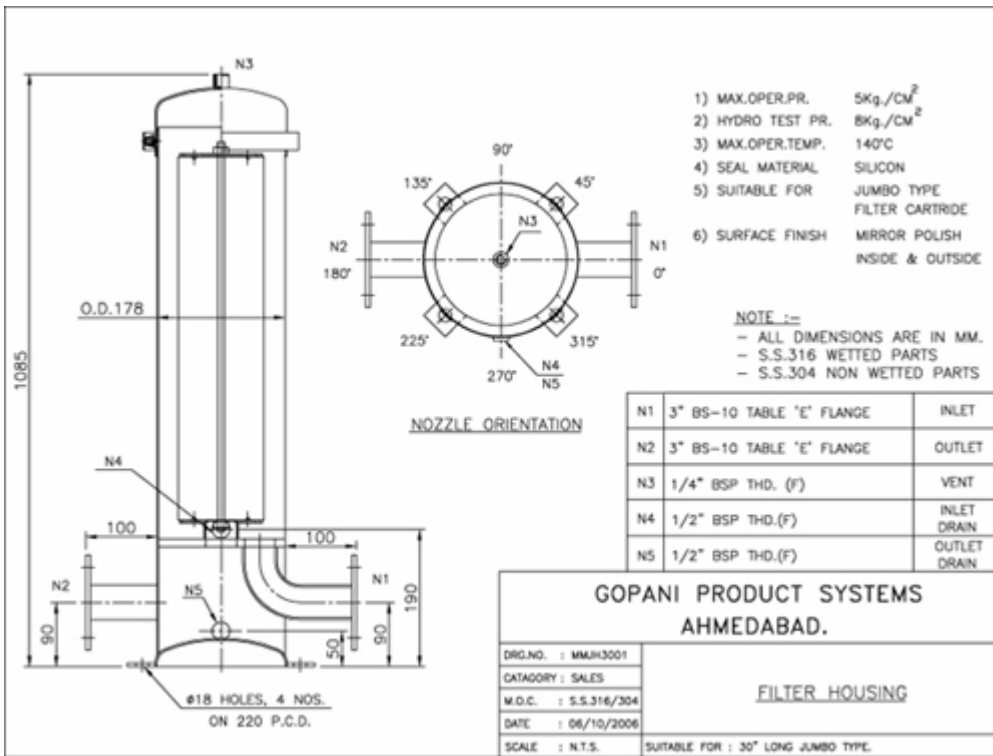
Cartridge configurations accepted

Double Open End type

Design Options

Non – coded
Coded as per ASME SEC VIII DIV. 1

Single Round SS Filter Housings For Jumbo Cartridge - 30" x 01 No.



**Single Round SS Filter Housings For Jumbo Cartridge - 30" x 01 No.
Request a Quote or More Information**

*Name :

Company :

Title/Department :

*Phone :

*Email :

Address :

Country :

Comments :

Please have someone contact me.

Please send me a quote.

- I am interested in
(please check one or more):
- Filter Housings for Liquid Filtration
 - Filter Housings for Air/Gas Filtration
 - Filter Media for Liquid Filtration
 - Filter Media for Air/Gas Filtration
 - Sintered Filter Media
 - Hydraulic Filters
 - Domestic Water Purifiers
 - Whole House Filtration Systems

How did you hear about us?