



Bag Filter Housings - Polypropylene - 4" DIA X 10 " LENGTH

GPS Standard Polypropylene Opaque Bag Filter Housings are made out from polypropylene material with innovative features like lower pressure drop at higher flow rate, larger connections, robust knife-edge, molded structure, zero bypass and leak proof sealing. These Filter Housings offer excellent chemical resistance characteristics. Smaller size and overall dimensions make them ideal for mounting in series. They are sealed with top seated Buna-N/Silicon/Viton* 'O' ring by positive tangential contact that eliminates accidental misplacement.

Caps are manufactured of reinforced polypropylene and are available with 1.5" BSP connections to match various flow rating and piping configurations. All caps come with four mounting brackets for easy installation. All housings have been tested and passed the hydrostatic leak and burst pressure to ensure consistence safe performance.

*Viton is a registered trademark of Dupont.

All bag filters vessels are compatible with PP collar bags of reputed make.

All filter vessels are supplied complete with a polypropylene retainer basket and standard rubber O-ring. Series Filtration in which the first vessel feeds the second vessel and so on. The liquid is filtered more effectively when there are any of the following conditions:

- Unequal Particle Size Distribution, in which First stage can handle larger particles, subsequent stages can filter finer particles.
- Greater Quality Control and Performance in which you can acquire improved performance with two filters (same micron) back-to-back for greater efficiency and capture rates.
- Cost Reduction Using Disposable Filters where less expensive pre-filters (disposable or reusable) can be used for the First stage, whereas "Absolute Rated" media can be used in the subsequent stage (s).

You can use parallel duplex or multiplex filter assemblies for uninterrupted flow and where frequent bag change outs are required.

Fluid enters the housing above the filter bag or strainer basket; flows down into the housing; and continues through the element. Solids are trapped inside the filter bag or strainer and easily removed when the housing is serviced. The housing design provides a large sump area at the bottom of the basket for

particulate accumulation.

Effectively removes dirt, pipe scale, and other contaminants from process liquids such as water, chemical and petroleum products. May be used as a strainer before a pump or as a filter after the pump.

Polypropylene Filter housings come with PP retainer cage for bag supporting purpose. They also carry PP sealing disc for better sealing arrangement. They have inline configuration to minimize pressure drop. Flow direction is from inside to outside. They are rugged enough to withstand operating pressure up to 7 bar and temperature up to 70°C

Features

- Polypropylene offering Longer Life
- Lower Pressure Drop @ Higher Flow Rate
- Molded Construction for Product Consistency
- Robust knife-edge design ensures consistent cartridge sealing
- Thicker Walls for Increased Strength
- Leak Proof Sealing
- Wide Chemical Compatibility
- Larger Connection for Maximum Output
- Mounting Holes Provision

Bag Filter Housings - Polypropylene - 4" DIA X 10 " LENGTH

Materials of construction

Sump: Polypropylene
Head: Reinforced Polypropylene
Retainer Basket: Polypropylene
Seal: Silicon

Configurations

Inlet/Outlet connection: 1.5" BSP (F)
Connection type: Threaded BSP (F)
Bag type: PP Collar
Vent: Not Provided

Operating conditions

Max. Operating Pressure: 7 kg/cm²
Max. Operating Temperature: 70°C

Bag Capacity

Single

Bag dimensions accepted

4" Dia X 10" Length
4" Dia x 20" Length

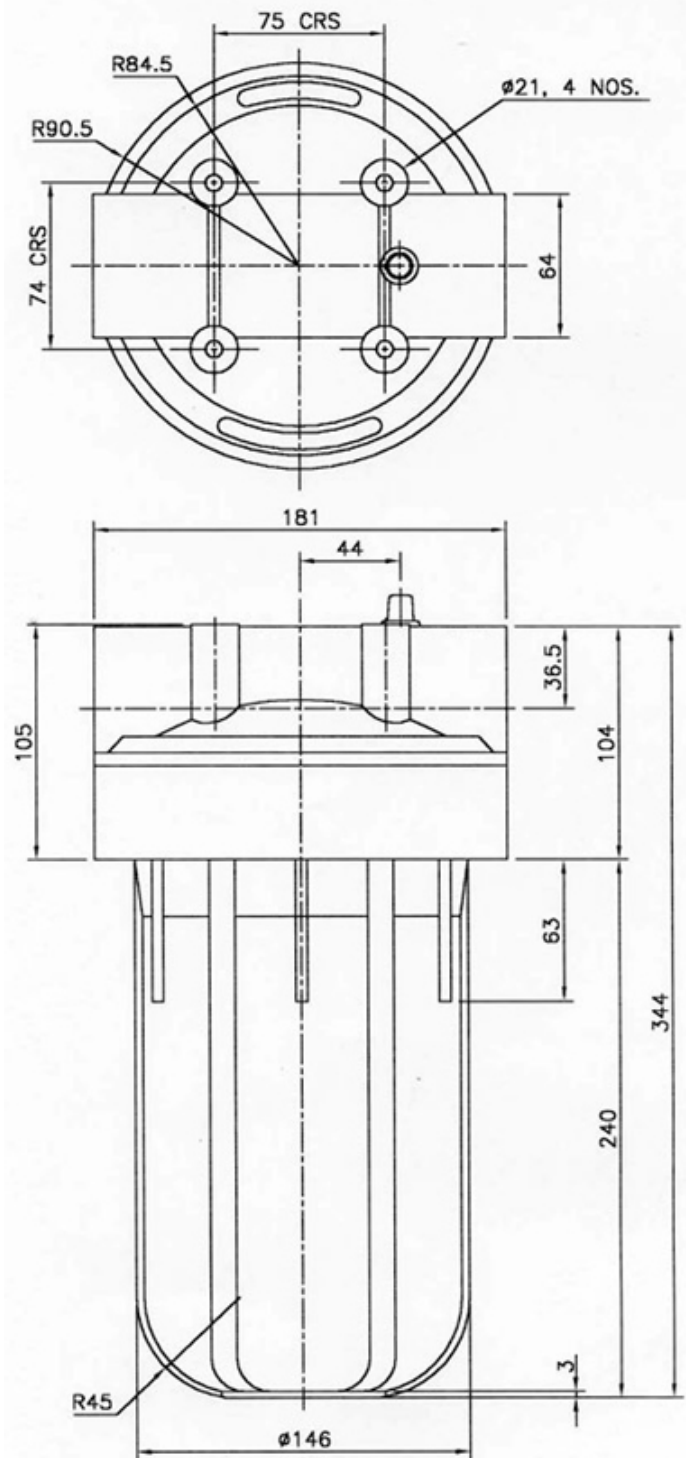
Bag configurations accepted

PP Collar type

Design Options

Molded construction

Bag Filter Housings - Polypropylene - 4" DIA X 10 " LENGTH



GOPANI PRODUCT SYSTEMS		
MODEL NO. : ,	WEIGHT :	QTY. : 1 NO.
DWG. NO.: ,	REF. NO.: ,	MAT./SIZE : ,
DRAWN :	.	
CHD. :		
APP. :		
REV. :		
DATE : 21/01/2004	SCALE : 1 : 2.5	

Bag Filter Housings - Polypropylene - 4" DIA X 10 " LENGTH
Request a Quote or More Information

*Name :

Company :

Title/Department :

*Phone :

*Email :

Address :

Country :

Comments :

Please have someone contact me.

Please send me a quote.

- I am interested in
(please check one or more):
- Filter Housings for Liquid Filtration
 - Filter Housings for Air/Gas Filtration
 - Filter Media for Liquid Filtration
 - Filter Media for Air/Gas Filtration
 - Sintered Filter Media
 - Hydraulic Filters
 - Domestic Water Purifiers
 - Whole House Filtration Systems

How did you hear about us?