



### **Molded Polypropylene Opaque Cartridge Filter Housings - Jumbo Design**

GPS Jumbo Polypropylene Opaque Filter Housings are made of polypropylene with innovative features like lower pressure drop at higher flow rate, larger connections, air venting provision, robust knife-edge, molded structure, zero bypass and leak proof sealing. These Filter Housings offer excellent chemical resistance characteristics. They are sealed with top seated Buna-N/Silicon/Viton\* 'O' ring by positive tangential contact that eliminates accidental misplacement.

The larger body size allows for greater cartridge capacity, thus reducing the number of vessels normally required in parallel installation. The internal port has been enlarged from standard size to allow liquid to pass through with minimum restriction.

Caps are manufactured of reinforced polypropylene and are available with 1" and 1.5" BSP (F) connections to match various flow rating and piping configurations. Caps are available with a pressure release mechanism to release the housing pressure when changing a cartridge. Pressure relief mechanism is constructed of stainless steel spring and screw and black polypropylene button.

All caps come with four mounting brackets for easy installation.

All housings have been tested and passed the hydrostatic leak and burst pressure to ensure consistent safe performance.

\*Viton is a registered **trademark** of Dupont.

#### **Features & Benefits:**

- Polypropylene offering Longer Life
- Specially designed for higher flow rates
- Ideal substitute for costly low pressure SS housings.
- An extra large cartridge results in higher dirt holding capacity.
- Lower Pressure Drop @ Higher Flow Rate

- Molded Construction for Product Consistency
- Robust knife-edge design ensures consistent cartridge sealing
- Thicker Walls for Increased Strength
- Leak Proof Sealing
- Wide Chemical Compatibility
- Larger Connection for Maximum Output
- Air Release Mechanism
- Mounting Holes Provision

### **Molded Polypropylene Opaque Cartridge Filter Housings - Jumbo Design**

#### **Materials of construction**

Sump: Polypropylene  
Head: Reinforced Polypropylene  
Vent: Polypropylene with SS Spring and Screw  
Seal: Silicon

#### **Configurations**

Inlet/Outlet connection: 1", 1.5"  
Connection type: Threaded BSP (F)  
Cartridge type: DOE  
Vent: Provided

#### **Operating conditions**

Max. Operating Pressure: 7 kg/cm<sup>2</sup>  
Max. Operating Temperature: 70<sup>0</sup>C

#### **Cartridge Capacity**

Single

#### **Cartridge dimensions accepted**

110 mm OD X 10"/254 mm

#### **Cartridge configurations accepted**

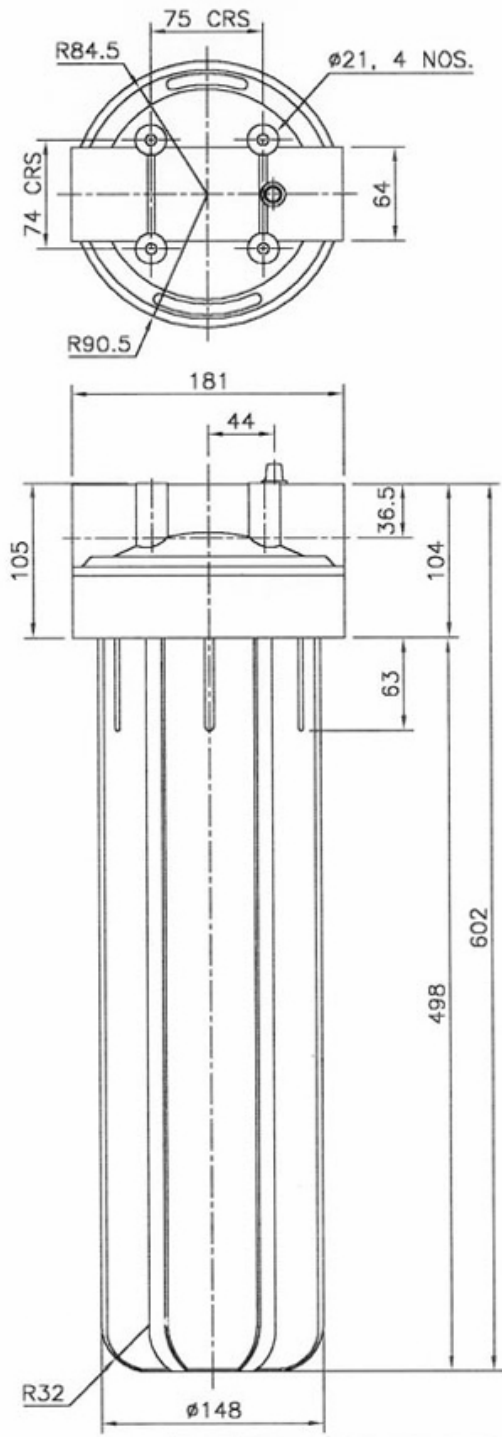
Double Open End type

#### **Design Options**

Molded construction

### **Molded Polypropylene Opaque Cartridge Filter Housings - Jumbo Design**

- [10" Length](#)
- [20" Length](#)



<b>GOPANI PRODUCT SYSTEMS</b>			
MODEL NO. : ,		WEIGHT :	QTY. : 1 NO.
DWG. NO. : ,	REF. NO. : ,	MAT./SIZE : ,	
DRAWN :		.	
CHD. :			
APP. :			
REV. :	DATE : 21/01/2004	SCALE : 1 : 4	

\*Name :

Company :

Title/Department :

\*Phone :

\*Email :

Address :

Country :

Comments :

Please have someone contact me.

Please send me a quote.

- I am interested in  
(please check one or more):
- Filter Housings for Liquid Filtration
  - Filter Housings for Air/Gas Filtration
  - Filter Media for Liquid Filtration
  - Filter Media for Air/Gas Filtration
  - Sintered Filter Media
  - Hydraulic Filters
  - Domestic Water Purifiers
  - Whole House Filtration Systems

How did you hear about us?