



Molded Polypropylene Opaque Cartridge Filter Housings - Slim Design

GPS Slim Polypropylene Opaque Filter Housings are made of polypropylene with innovative features like lower pressure drop at higher flow rate, larger connections, air venting provision, robust knife-edge, molded structure, zero bypass and leak proof sealing. These Filter Housings offer excellent chemical resistance characteristics. Smaller size and overall dimensions make them ideal for mounting in series. They are sealed with top seated Buna-N/Silicon/Viton* 'O' ring by positive tangential contact that eliminates accidental misplacement.

Caps are manufactured of reinforced polypropylene and are available with $\frac{1}{2}$ ", $\frac{3}{4}$ " and 1" BSP connections to match various flow rating and piping configurations. Caps are available with a pressure release mechanism to release the housing pressure when changing a cartridge. Pressure relief mechanism is constructed of stainless steel spring and screw and black polypropylene button.

All caps come with four mounting brackets for easy installation.

All housings have been tested and passed the hydrostatic leak and burst pressure to ensure consistent safe performance.

*Viton is a registered **trademark** of Dupont.

Features & Benefits:

- Polypropylene offering Longer Life
- Lower Pressure Drop @ Higher Flow Rate
- Molded Construction for Product Consistency
- Robust knife-edge design ensures consistent cartridge sealing
- Thicker Walls for Increased Strength
- Leak Proof Sealing
- Wide Chemical Compatibility
- Larger Connection for Maximum Output

- Air Release Mechanism
- Mounting Holes Provision

Molded Polypropylene Opaque Cartridge Filter Housings - Slim Design

They are recommended for low flow OEM equipment, residential reverse osmosis systems, recreational vehicles, food service equipment, Kidney dialysis equipment, humidifying systems and other low flow applications with pressures under 7 kg/cm² and temperature up to 70°C.

Molded Polypropylene Opaque Cartridge Filter Housings - Slim Design

Materials of construction

Sump: Polypropylene
Head: Reinforced Polypropylene
Seal: Silicon

Configurations

Inlet/Outlet connection: ½", ¾", 1"
Connection type: Threaded BSP (F)
Cartridge type: DOE
Vent: Provided

Operating conditions

Max. Operating Pressure: 7 kg/cm²
Max. Operating Temperature: 70°C

Cartridge Capacity

Single

Cartridge dimensions accepted

- 63 mm OD X 10"/254 mm
- 63 mm OD X 20"/508 MM

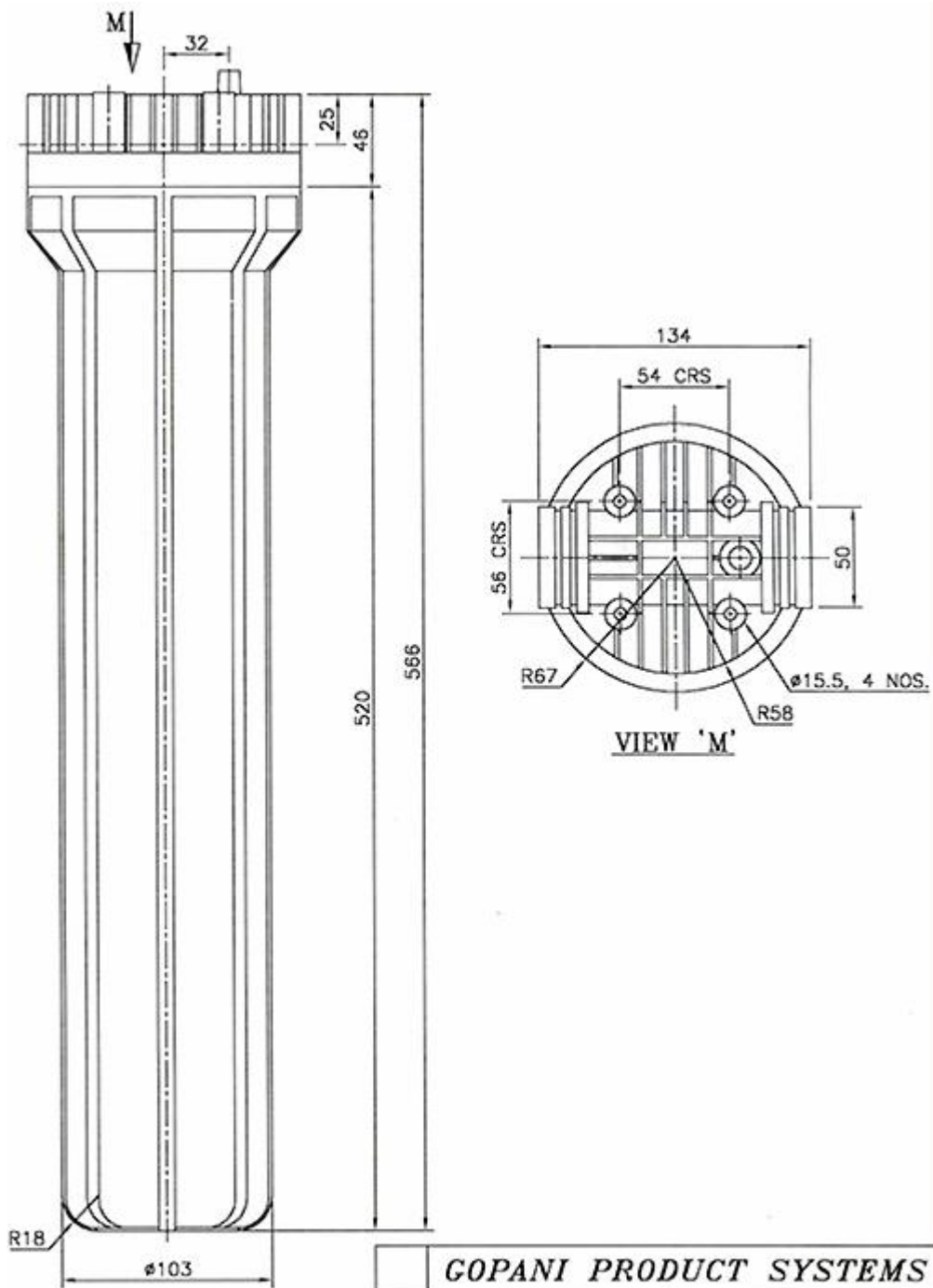
Cartridge configurations accepted

Double Open End type

Design Options

Molded construction

Molded Polypropylene Opaque Cartridge Filter Housings - Slim Design



<i>GOPANI PRODUCT SYSTEMS</i>		
MODEL NO. : .	WEIGHT :	QTY. : 1 NO.
DWG. NO. : .	REF. NO. : .	MAT./SIZE : .
DRAWN :		
CHD. :		
APP. :		
REV. :		
	DATE : 21/01/2004	SCALE : 1 : 2.5

Molded Ploypropylene Opaque Cartridge Filter Housings - Slim Design Request a Quote or More Information

*Name :

Company :

Title/Department :

*Phone :

*Email :

Address :

Country :

Comments :

Please have someone contact me.

Please send me a quote.

- I am interested in
(please check one or more):
- Filter Housings for Liquid Filtration
 - Filter Housings for Air/Gas Filtration
 - Filter Media for Liquid Filtration
 - Filter Media for Air/Gas Filtration
 - Sintered Filter Media
 - Hydraulic Filters
 - Domestic Water Purifiers
 - Whole House Filtration Systems

How did you hear about us?